

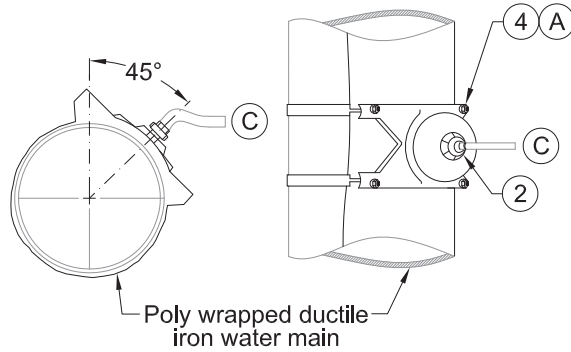


# WATER T&D Construction Standard

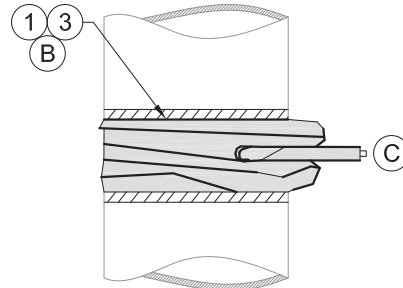
## SERVICE CONNECTION WITH SERVICE SADDLE, 1.5"-2", ON POLYETHYLENE ENCASED DUCTILE IRON WATER MAIN

APPLICATION: 1-1/2" and 2" service connections.

(A) Tapping polyethylene encased iron pipe using a service saddle requires that an "X" shaped cut be made in the polyethylene wrap at the spot where the gasket of the service saddle will be placed. Fold the cut polywrap back so that it does not interfere with the seal between the gasket to the pipe. The service saddle is then placed over the poly-wrapped water main so that the entire gasket makes direct contact with the pipe wall. Be certain that the pipe wall and gasket surfaces are clean. The saddle can then be tightened into place. After the tap is completed, the entire circumferential area shall be inspected for damage.



(B) Any damaged areas must be covered with polywrap along with the service saddle. The entire service saddle and at least two feet of the service line must be wrapped in polywrap and taped in place. Repair damage to the polyethylene encasement as rips and tears will result in accelerated corrosion of the water main.



(C) Refer to Water T&D Construction Standard W-03-0020 for service stub installation.

MATERIALS			
REF	ITEM NO.	QTY	DESCRIPTION
1	NON-STOCK	1 ROLL	TAPE, POLYETHYLENE
2	30-04245 OR 97-00093	AS REQ'D	CORP STOP, 1-1/2" CC X 1-1/2" CTS COMP OR CORP STOP, 2" CC X 2" CTS COMP
3	37-00__	AS REQ'D	PIPE, ENCASEMENT, __-__" PIPE
4	30-22780 30-22889 30-22892 30-22904 30-22920 30-23042 30-23068 30-23084 30-23125 30-23167	AS REQ'D	SADDLE, DBL STRAP, 6" X 1-1/2" SADDLE, DBL STRAP, 8" X 1-1/2" SADDLE, DBL STRAP, 10" X 1-1/2" SADDLE, DBL STRAP, 12" X 1-1/2" SADDLE, DBL STRAP, 16" X 1-1/2" SADDLE, DBL STRAP, 4" X 2" SADDLE, DBL STRAP, 6" X 2" SADDLE, DBL STRAP, 8" X 2" SADDLE, DBL STRAP, 12" X 2" SADDLE, DBL STRAP, 16" X 2"

Manager, Water & Steam Distribution *Todd Russell*

Date: 8/18/2022

Director of Water Operations *Sanjev Mungarwadi*

Date: 8/19/2022