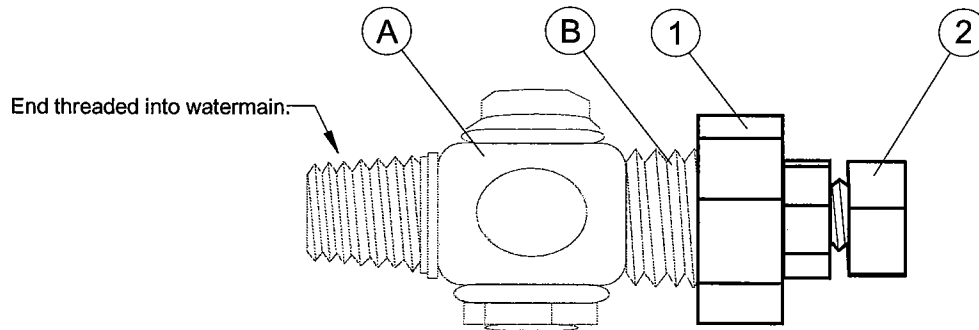


LANSING BOARD OF
WATER & LIGHT

Water T&D Material Standard

ABANDONMENT OF LEAD THREAD CORPORATION VALVE 1/2", 5/8", 3/4" & 1"

Application: Sealing of the existing corporation stop after an abandoned service stub has been removed.



INSTALLATION NOTES

- When removing or abandoning a water service line the existing corporation may be used for the new service line installation if it is still in good operating condition or abandon in the watermain if it is undamaged but no longer useful. The undamaged corp. stop shall be capped in the "OFF" position.
- The corp. stop shall be operated to shut off water flow through the corp. stop itself. After it is turned to the closed (OFF) position, visually check the corp. stop for any leaks. Leaks from the outlet of the corp. stop are not a concern. Install the cap and plug and complete the abandonment. If the corp. stop leaks from the top or bottom of the valve, the corp. stop must be removed and a repair sleeve installed over the hole vacated by the removed corp. stop.

(A) Existing Lead service corporation stop.

(B) Outlet dimension and thread pattern of the corporation will vary by manufacturer and by strength rating of the lead. Check the outlet size to assure a correct fit. Inlet dimension is listed in material list below.

MATERIALS			
REF	ITEM NO.	QTY	DESCRIPTION
(1)	30-00276	1	Cap, 1/2" XS Female Lead thread x 3/4" F.I.P.Outlet* (1-7/16" I.D.)
(1)	30-00289		Cap, 5/8" XS Female Lead thread x 3/4" F.I.P.Outlet* (1-5/8" I.D.)
(1)	30-00292		Cap, 3/4" XS Female Lead thread x 3/4" F.I.P.Outlet* (1-7/8" I.D.)
(1)	30-00304		Cap, 1" XS Female Lead thread x 1" F.I.P.Outlet* (2-1/8" I.D.)
(2)	30-02519	1	Plug, 3/4" M.I.P. x Square Head
(2)	30-02522		Plug, 1" M.I.P. x Square Head
* Gaskets are included			

Director of Engineering *DK Wood*

Date: *5/20/05*

Manager, Water T&D Resource Center *B. McLeod*

Date: *5/23/05*