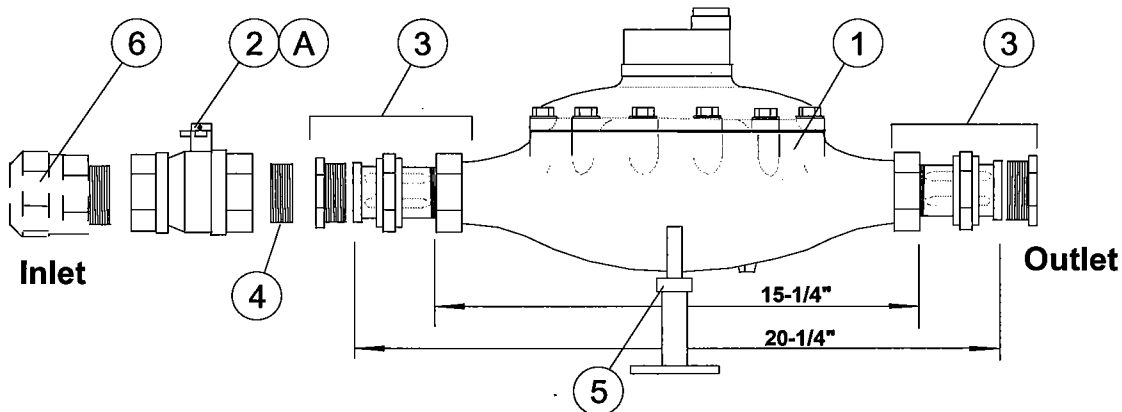




Water T&D Construction Standard

METER SET, 2" DISPLACEMENT - Threaded Ends

APPLICATION: Maintenance of metered indoor residential, commercial and industrial water services.



INSTALLATION NOTES

- Customers plumbing shall include a shut off valve on the outlet side of the meter setting or the water meter will not be installed by LBWL.
- Meters shall be installed by LBWL personnel only.
- **Supports are required for all meter installations. Supports shall be made from non-corrosive materials.**

(A) Inlet valve shall be locked in the closed position if no meter is to be installed in the meter setting assembly of the Meter setting, and will be removed by the LBWL when the meter is installed.

MATERIALS FOR 2" DISPLACEMENT METER SETTING			
REF	ITEM NO.	QTY*	DESCRIPTION
①	30-11261	1	Meter, 2" Displacement w/ threaded ends
②	30-70624	1	Valve, Ball, Straight 2" F.I.P. x F.I.P.
③	30-19704	2	Connection set, Meter, threaded, straight, 2"
④	30-31557	1	Nipple, Brass 2" x close
⑤	30-09505	1	Meter Support
⑥	30-26887	If Req'd	Coupling, 2" CTS Comp x 2" M.I.P.

* Required for one complete setting

Manager, System Integrity & Customer Projects DK Wood Date: 3/28/03
 Manager, Water T&D Resource Center B. McFurd Date: 3/28/03