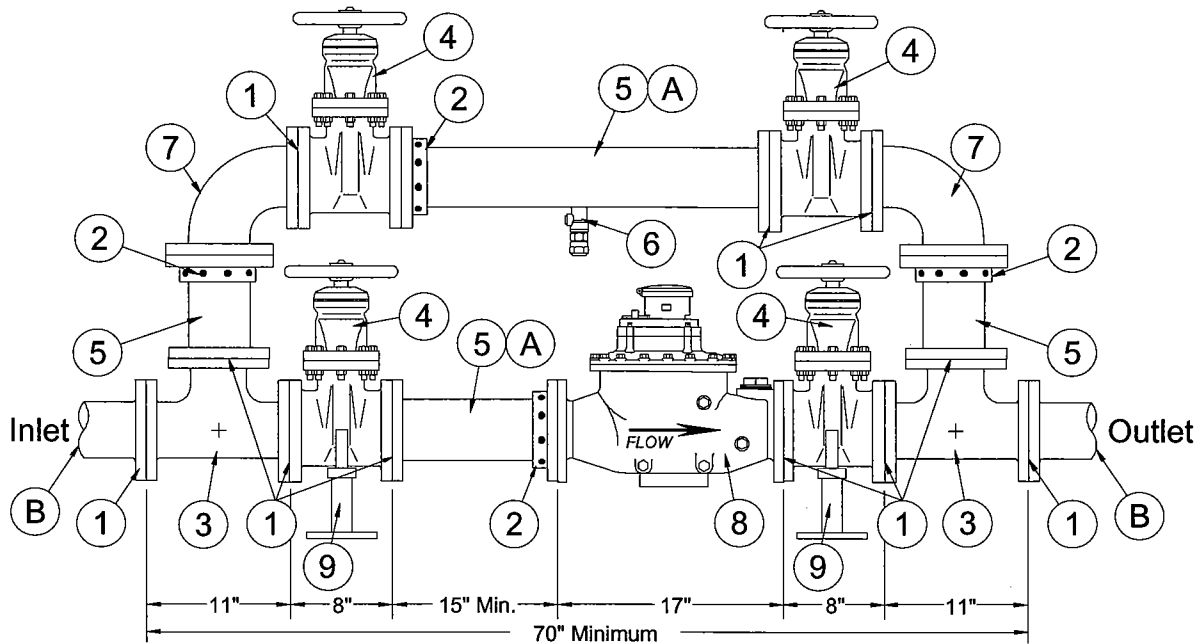


Water T&D Constuction Standard

3" INDOOR METER SET WITH FULL SIZE BY-PASS

APPLICATION: Indoor commercial and industrial water metering.



Must be 12" (Min.) from back wall with 3' working clearance in front of meter setting.

INSTALLATION NOTES

- Inlet side and outlet side By-Pass valve shall have a security device installed while in the closed position.
- Inlet side gate valve and outlet side gate valve shall be left unsecured for customer ON/OFF operation.
- By-Pass shall be drained of water when not in use.

(A) Pipe section preceeding the meter must be a minimum of 15" in length in order to provide undisturbed flow of water for accurate metering. Lengths greater than 15" are desirable when area for meter installation allows. If the pipe section preceeding the meter is longer than 19", the pipe section in the by-pass will need to be cut from a larger pipe section and an additional wedge restraint used.

(B) Ductile iron pipe for inlet and outlet connection to meter set requires a flanged connection to the flanged end tees. Order appropriate flanged end ductile iron pipe or plain end ductile iron pipe with wedge type flange adapters (2).

MATERIALS			
REF	ITEM NO.	QTY*	DESCRIPTION
(1)	30-35401	11	Gasket, 3" Flange W/ bolts and nuts
(2)	30-20009	4	Adapter, Flange 3" wedge type
(3)	30-33720	2	Tee, 3" FL x FL x FL, ductile iron
(4)	38-10186	4	Valve, 3" FL x FL, NRS resilient wedge
(5)	37-12102	4	Pipe, 3" x 36" Flange x PE, ductile iron
(6)	30-03123	1	Corp stop 3/4" CC x 3/4" CTS
(7)	30-27660	2	Bend, 90 Deg, 3" FL x FL, ductile iron
(8)	30-14626	1	Meter, 3" Compound
(9)	30-09505	2	Meter Support

* Required to complete one meter setting

Director of Engineering *D. Wood*

Date: *5/31/06*

Director of Delivery *M. Green*

Date: *6/12/06*