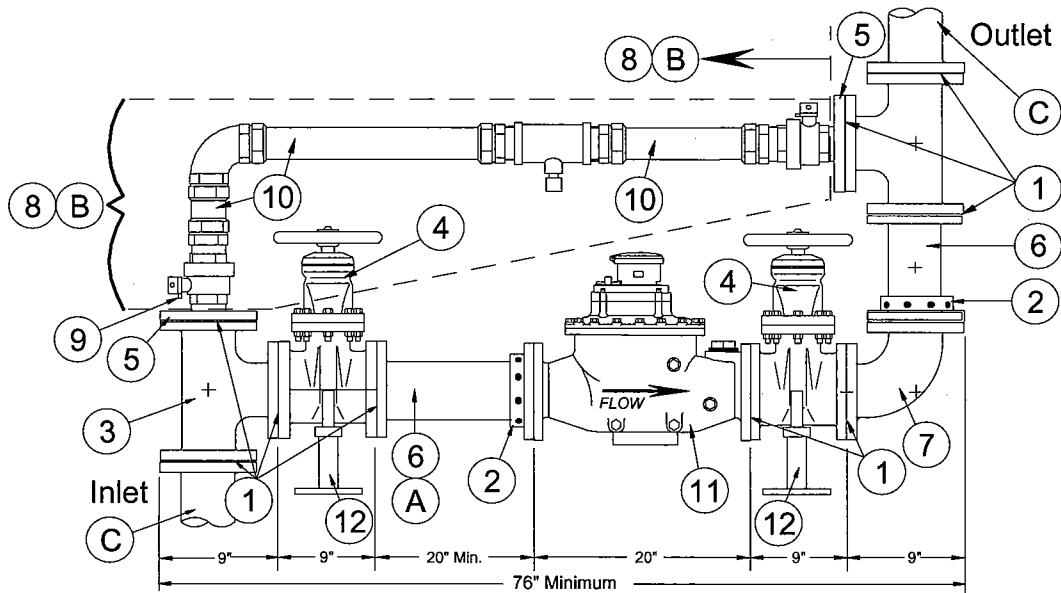


Water T&D Construction Standard

4" INDOOR METER SET WITH 2" BY-PASS

APPLICATION: Indoor commercial & industrial water metering.



Must be 12" (Min.) from back wall with 3' working clearance in front of meter setting.

INSTALLATION NOTES

- Inlet side and outlet side By-Pass valves shall have security devices / barrel locks installed while in the closed position.
- Inlet side gate valve and outlet side gate valve shall be left unsecured for customer ON/OFF operation.
- By-Pass shall be drained of water when not in use.

A Pipe section must be a minimum of 20" in length in order to provide undisturbed flow of water for accurate metering. Lengths greater than 20" are desirable when area for meter installation allows.

B Item number **8** 30-36002 is a 2" by-pass packaged as a boxed assembly utilizing compression fittings. 2" copper tubing is not included and must be allocated to complete the by-pass assembly. Refer to LBWL Water T&D Construction Standard W-04-0502 for detail of the 2" by-pass assembly.

C Ductile iron pipe for inlet and outlet connection to meter set requires a flanged connection to the flanged end tees. Order appropriate flanged end ductile iron pipe or plain end ductile iron pipe with flange adapters **2**.

MATERIALS			
REF	ITEM NO.	QTY	DESCRIPTION
①	30-35414	9	Gasket, 4" Flange W/ bolts & nuts
②	30-20012	2	Adapter, Flange, 4" wedge type
③	30-33803	2	Tee, 4" x 4", FL x FL x FL, ductile iron
④	38-10204	2	Valve, Gate, 4" FL x FL, NRS resilient wedge
⑤	30-29341	2	Flange, Blind, 9" O.D. with 2" threaded tap (for 4" flanged fittings)
⑥	37-12144	2	Pipe, Ductile iron, 4" x 48" Flange x Plain End (cut to length)
⑦	30-27743	1	Bend, 4" FL x FL, 90 Deg., ductile iron
⑧	30-36002	1	Assembly, 2" by-pass, boxed
⑨	30-00151	1	Barrel-lock, Hardened steel, W/ end cap
⑩	30-45402	As Req'd	Tube, Copper, type K, 2" x 20'
⑪	30-14738	1	Meter, 4" Compound
⑫	30-09505	2	Meter Support

Director of Engineering *D. Wood*

Date: *5/31/06*

Director of Delivery *M. Green*

Date: *6/12/06*