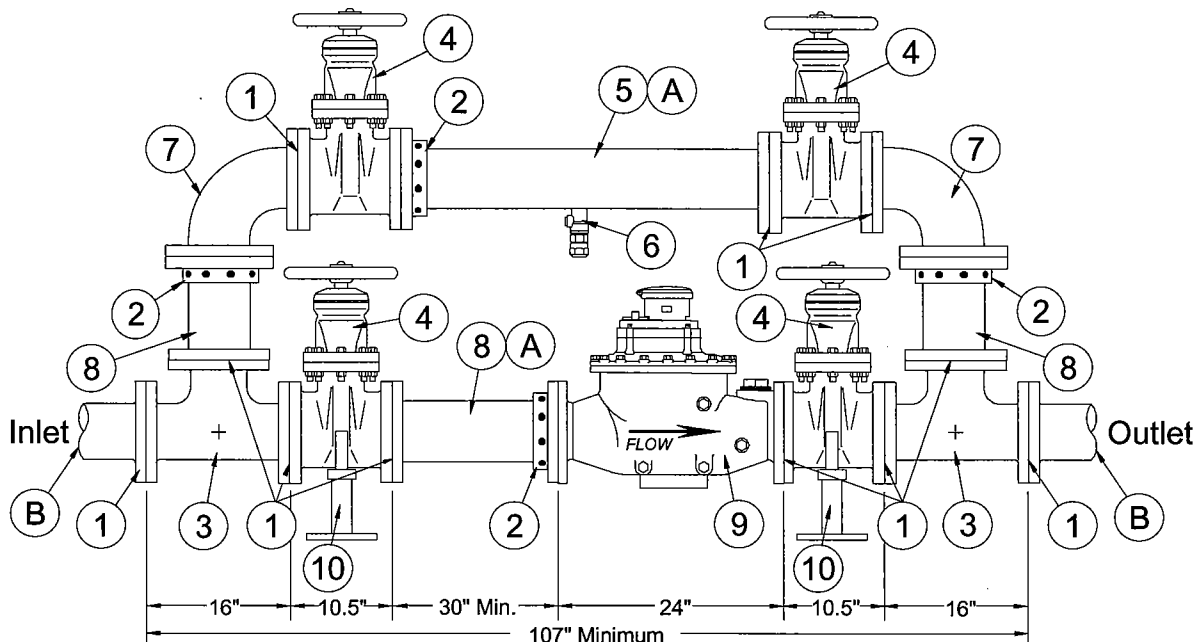


# Water T&D Construction Standard

## 6" INDOOR METER SET WITH 6" BY-PASS

APPLICATION: Indoor Commercial & Industrial water metering.



Must be 12" (Min.) from back wall with 3' working clearance in front of meter setting.

### INSTALLATION NOTES

- Inlet side and outlet side By-Pass valve shall have a security device installed while in the closed position.
- Inlet side gate valve and outlet side gate valve shall be left unsecured for customer ON/OFF operation.
- By-Pass shall be drained of water when not in use.

**(A)** Pipe section preceding the meter must be a minimum of 30" in length in order to provide undisturbed flow of water for accurate metering. Lengths greater than 30" are desirable when area for meter installation allows. If the pipe section preceding the meter is longer than 34", the pipe section in the by-pass will need to be cut from a larger pipe section and an additional wedge restraint used.

**(B)** Ductile iron pipe for inlet and outlet connection to meter set requires a flanged connection to the flanged end tees. Order appropriate flanged end ductile iron pipe or plain end ductile iron pipe with wedge type flange adapters **(2)**.

MATERIALS			
REF	ITEM NO.	QTY	DESCRIPTION
(1)	30-35427	11	Gasket, 6" Flange W/ bolts & nuts
(2)	30-20025	4	Adapter, Flange 6" wedge type
(3)	30-34040	2	Tee, 6" FL x FL x FL, ductile iron
(4)	38-10227	4	Valve, 6" , FL x FL, NRS, resilient wedge
(5)	37-12160	1	Pipe, Ductile iron, 6" x 60" Flange x P.E.
(6)	30-03123	1	Corp. stop, 3/4" CC x 3/4" CTS Comp.
(7)	30-27868	2	Bend, 6" FL x FL, 90 Deg., ductile iron
(8)	37-12186	3	Pipe, Ductile iron, 6" x 48" Flange x P.E.
(9)	30-14840	1	Meter, 6" Compound
(10)	30-09505	2	Meter Support

Director of Engineering *A. Kenwood*

Date: *5/31/06*

Director of Delivery *M. J. Guerin*

Date: *5/12/06*