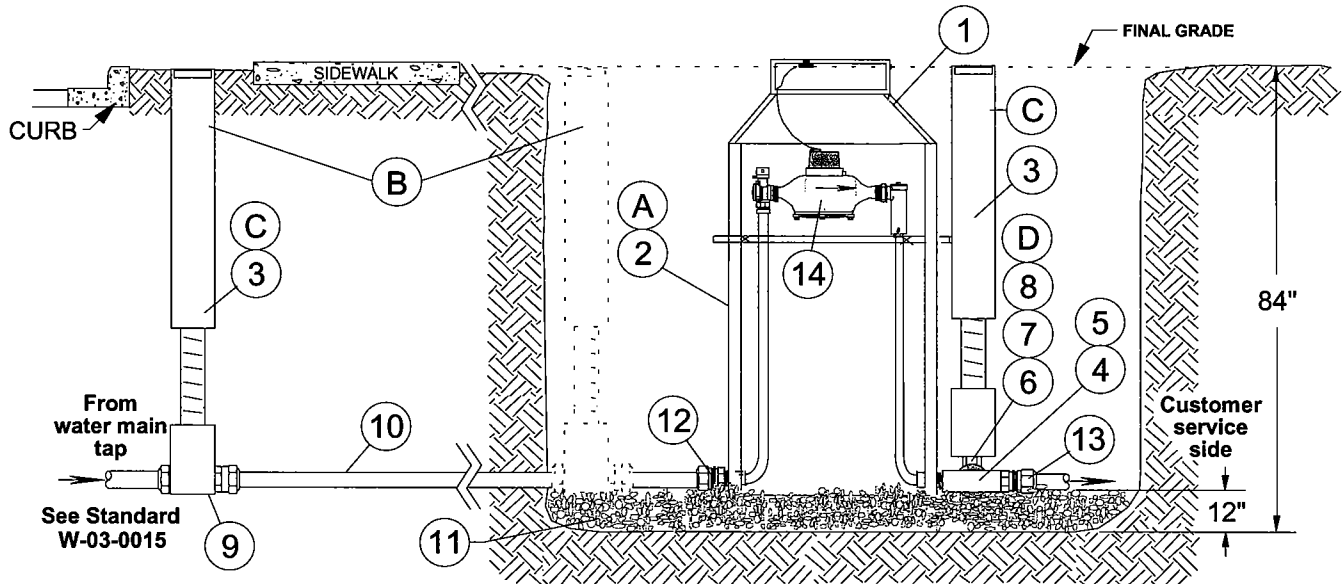


LANSING BOARD OF
WATER & LIGHT

Water T&D Construction Standard

1" OUTDOOR METERING PIT, FOR IRRIGATION SERVICE

® APPLICATION; Commercial and Industrial irrigation service metering.

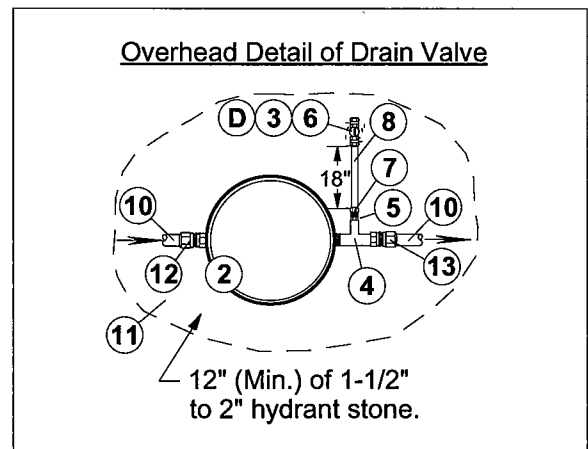


INSTALLATION NOTES

- Install main to curb box service line as indicated in LBWL Standard W-03-0015.
- Depth of service shall be 60" to 72" unless otherwise specified by the BOARD ENGINEER.
- Installation of service and metering pit shall include proper documentation. Refer to LBWL Standard W-03-0005 for documentation of installed water services.
- LBWL shall install meter upon completion of the metering pit installation and in conjunction with "Turn-On" notice of a Service Request Form.
- Meter pit shall be laid upon 12" (Min.) of 1-1/2" to 2" hydrant stone. Drainage bed shall extend around 3/4" curb stop.

- (A) Pit setter comes as an assembled unit. Additional material is listed. Meter is not included.
- (B) ON/OFF curb box should be located between sidewalk and curb. Alternate location is within the same hole as meter pit.
- (C) After curb boxes are installed, raise curb boxes to final grade
- (D) Drain valve is required for service line maintenance.

REFER TO MATERIAL LIST ON PAGE 2 OF 2 IN THIS STANDARD.



Director of Engineering *D. Kerwood* Date: 5/20/05
 Manager, Water T&D Resource Center *B. McLeod* Date: 5/23/05

MATERIALS FOR 1" OUTDOOR METER SETTING			
REF	ITEM NO.	QTY*	DESCRIPTION
①	30-08863	1	Cover, Meter box, double lid for 20" I.D. Pit Setters
②	30-09000	1	Pit Setter, 1" Irrigation, Water Metering,
③	30-00320	2	Curb box complete
④	30-33340	1	Tee, Brass, 1" Threaded
⑤	30-21329	1	Bushing Brass, 3/4" F.I.P. x 1" M.I.P.
⑥	30-05680	1	Curb Stop, 3/4" C.T.S. Comp. Both ends
⑦	30-25314	1	Coupling, 3/4" CTS Comp. x M.I.P.
⑧	30-45329	As Req'd	Tube, Copper type "K", 3/4" x 60' roll
⑨	30-06166	1	Curb Stop, 1" C.T.S. Comp. Both ends
⑩	30-45345	As Req'd	Tube, Copper type "K", 1" x 60' roll
⑪	77-60901	As Req'd	Stone, Hydrant, 1-1/2" to 2"
⑫	30-25583	1	Coupling, 1" CTS Comp. x F.I.P.
⑬	30-25567	1	Coupling, 1" CTS Comp. x M.I.P.
⑭	30-12354	1	Meter, 1" SR II TR/PL
* Required for one complete setting			

Director of Engineering DK Wood

Date: 5/20/05

Manager, Water T&D Resource Center J. McLeod

Date: 5/23/05