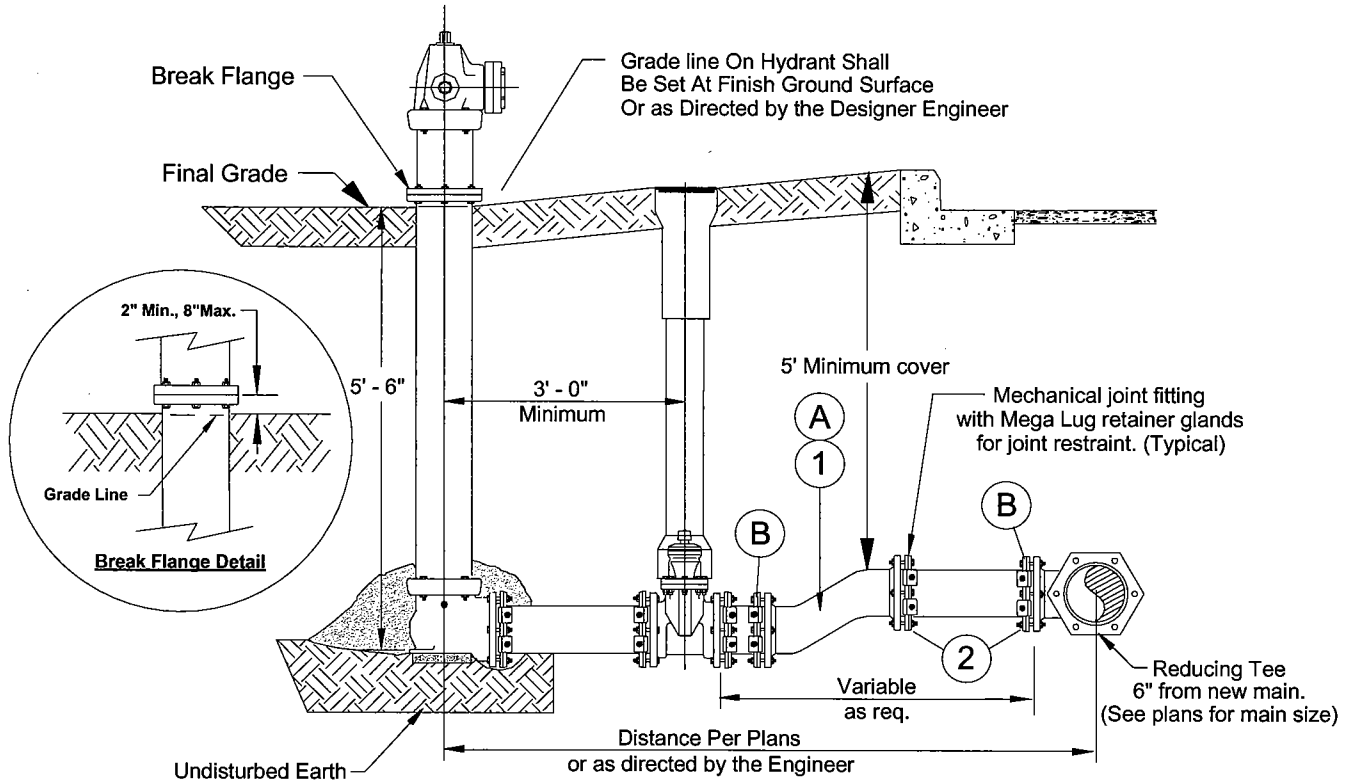


Water T&D Construction Standard

FIRE HYDRANT LEG INSTALLATION WITH OFFSET

APPLICATION: Hydrant elevation is lower or higher than curb or edge of pavement.



Profile Detail

MATERIALS			
REF	ITEM NO.	*QTY	DESCRIPTION
①	36-24641	1	Offset, 6" x 6" M.J. x M.J.
①	36-24683	1	Offset, 6" x 6" M.J. x P.E.
①	36-24724	1	Offset, 6" x 12" M.J. x M.J.
①	36-24766	1	Offset, 6" x 12" M.J. x P.E.
①	For Offsets greater than 12" see Water T&D Standard W-02-2060		
②	36-23529	2	Gland, Retainer, wedge type, 6"
* In addition to material listed in W-05-0045			

INSTALLATION NOTES

- Refer to Standard W-05-0045 for "Typical Fire Hydrant Installation" requirements and material list.
 - Pumper nozzle connection shall always face the street.
 - Hydrant Extensions, although not intended for new construction, can to be installed to raise Hydrant to final Grade. See Water T&D Standard W-05-0150
 - If break flange is greater than 8" above grade, damage is likely to occur if hit. See detail above.
- (A) Offsets are to be installed when required to raise or lower Hydrants to final grade.
- (B) The distance away from the water main can be reduced by using a MJ x PE offset directly to the mechanical joint of the Tee rather than an MJ x MJ offset and a pipe extension. This also reduces one wedge restraint and the extension pipe from the installation.

Director of Engineering

Wood

Date: 5/31/06

Director of Delivery

Guerrin

Date: 6/12/06